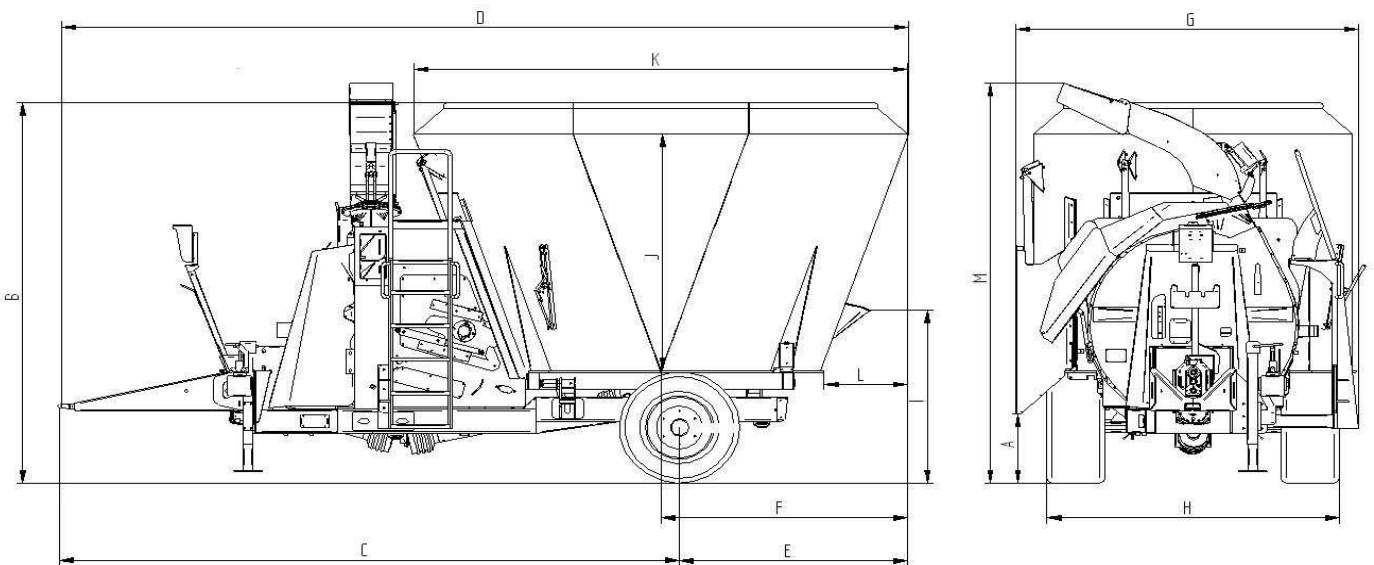


Technical Characteristics

		MVV 12 P	MVV 14 P	MVV 23 P	MVV 23 TP	MVV 26 TP
A	Discharge height	0.58 m	0.58 m	0.61 m	0.55 m	0.55 m
B	Overall height	2.93 m	3.13 m	2.95 m	3.00 m	3.20 m
C	Wheel base	4.70 m	4.70 m	5.91 m	6.42 m	6.42 m
D	Overall length	6.33 m	6.40 m	8.75 m	8.75 m	8.82 m
E	Rear overhang	1.63 m	1.70 m	1.27 m	1.34 m	1.41 m
F	Useful discharge length	1.79 m	1.86 m	4.15 m	4.15 m	4.22 m
G	Overall width	2.54 m	2.54 m	2.54 m	2.54 m	2.54 m
H	Width at the wheels	2.15 m	2.21 m	2.21 m	2.08 m	2.08 m
I	Hopper loading height	1.42 m	1.42 m	1.45 m	1.50 m	1.50 m
J	Tub height	2.00 m	2.20 m	2.00 m	2.00 m	2.20 m
K	Tub length	3.60 m	3.74 m	6.00 m	6.00 m	6.15 m
L	Tub overhang	0.57 m	0.64 m	0.57 m	0.57 m	0.64 m
M	Height chute open	3.28 m	3.28 m	3.31 m	3.25 m	3.25 m



Equipment complies with safety standards.

We reserve the right to change our equipment and its characteristics at any time.