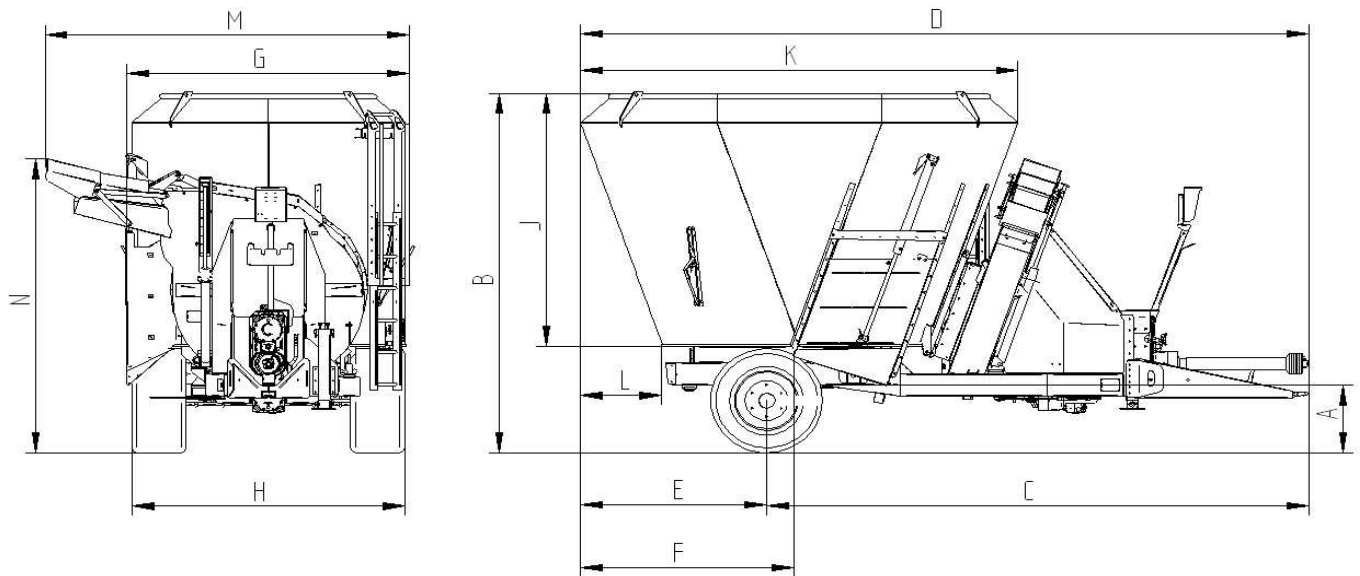


Technical Characteristics					
		MVV 10 NP	MVV 12 NP	MVV 17 NP	MVV 20 NP
A	Discharge height	0.59 m	0.59 m	0.54 m	0.54 m
B	Overall height	2.95 m	3.15 m	2.68 m	2.88 m
C	Wheel base	4.40 m	4.40 m	5.18 m	5.18 m
D	Overall length	5.83 m	5.90 m	7.92 m	7.98 m
E	Rear overhang	1.44 m	1.51 m	2.74 m	2.80 m
F	Useful discharge length	1.66 m	1.73 m	3.73 m	3.80 m
G	Overall width	2.30 m	2.30 m	2.30 m	2.30 m
H	Width at the wheels	2.21 m	2.21 m	2.37 m	2.37 m
J	Tub height	2.00 m	2.20 m	1.80 m	2.00 m
K	Tub length	3.41 m	3.55 m	5.47 m	5.60 m
L	Tub overhang	0.58 m	0.65 m	0.52 m	0.58 m
M	Overall width with chute open	2.95 m	2.95 m	2.95 m	2.95 m
N	Height chute open	2.57 m	2.57 m	2.52 m	2.52 m



Equipment complies with safety standards.

We reserve the right to change our equipment and its characteristics at any time.

