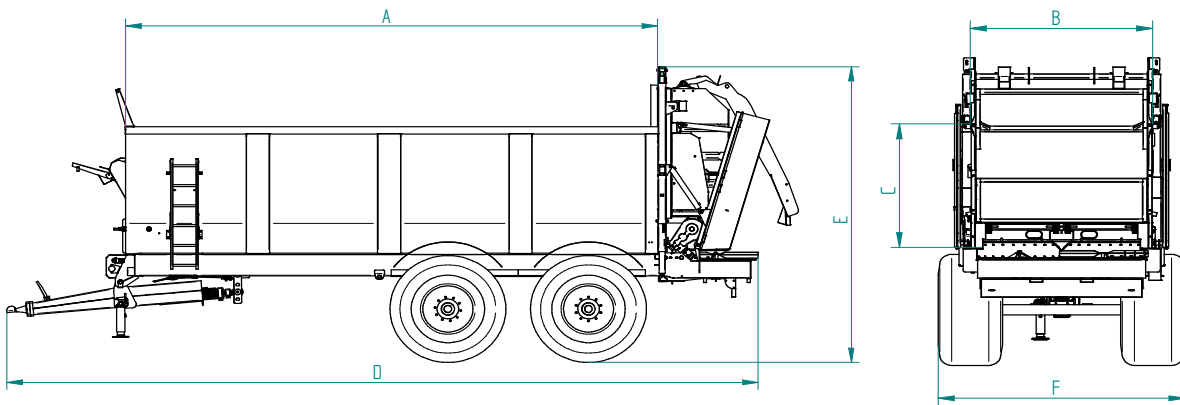


### Technical Characteristics

		EPR 23-16	EPR 23-18	EPR 27-18	EPR 27-20
Empty weight		10720 kg	10720 kg	12000 kg	12000 kg
A	Body internal length	5.70 m	5.70 m	6.70 m	6.70 m
B	Body internal width	2.00 m	2.00 m	2.00 m	2.00 m
C	Internal width. (body top)	2.30 m	2.30 m	2.30 m	2.30 m
D	Body internal height	1.40 m	1.40 m	1.40 m	1.40 m
E	Overall length	8.72 m	8.72 m	9.72 m	9.72 m
F	Overall width	2.77 m	2.77 m	3.07 m	3.07 m
G	Overall height	4.15 m	4.15 m	4.15 m	4.15 m
H	Loading height	3.18 m	3.18 m	3.18 m	3.18 m
I	Height with door open	6.05 m	6.05 m	6.05 m	6.05 m

dimensions with standard wheels



Equipment complies with safety standards.

We reserve the right to change our equipment and its characteristics at any time.