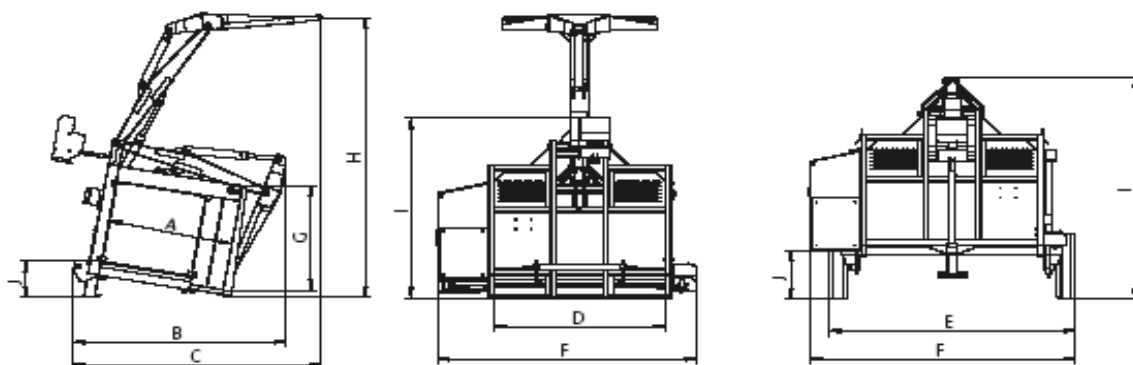


Technical Characteristics

		D 1650	D 2000	D 2400	D 2400 SP
A	Interior body length	1.10 m	1.30 m	1.60 m	1.60 m
B	Overall length claw closed	2.05 m	2.25 m	2.55 m	3.10 m
C	Overall length claw open	2.36 m	2.56 m	2.86 m	3.35 m
D	Interior body width	1.50 m	1.50 m	1.50 m	1.50 m
E	Width at the whells				2.28 m
F	Overall width	2.20 m	2.20 m	2.20 m	2.36 m
G	Interior heigth of body	1.00 m	1.00 m	1.00 m	1.00 m
H	Height of silo pick-up	3.00 m	3.00 m	3.00 m	3.00 m
I	Overall height	1.70 m	1.70 m	1.70 m	2.10 m
J	Distribution height	0.80 m	0.80 m	0.80 m	0.80 m
Capacity		1.65 m ³	2.00 m ³	2.40 m ³	2.40 m ³
Empty weight		640 kg	690 kg	740 kg	890 kg
Whells					175x14
Distribution to the right		●	●	●	●
Distribution to the left		■	■	■	■
Distribution drift 0.30 m		■	■	■	■
Manual controls		●	●	●	●
Electric controls		■	■	■	■
Mixer hopper 150 l		■	■	■	■

- Standard
- Option



Equipment complies with safety standards.

We reserve the right to change our equipment and its characteristics at any time.