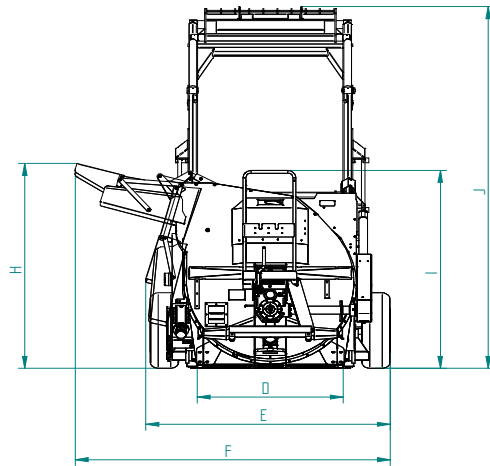
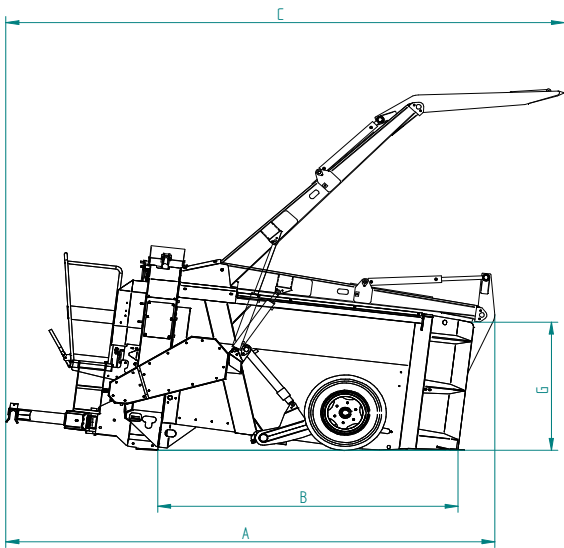


### Technical Characteristics

		DPR 6000 SD
A	Overall length – claw closed	5.20 m
B	Inside body length	3.47 m
C	Overall length – claw open	5.50 m
D	Inside body width	1.35 m
E	Overall width with folded flap	2.27 m
F	Overall width with unfolded flap	2.92 m
G	Inside body height	1.26 m
H	Maximum chute height	2.87 m
I	Overall height chute folded up	2.00 m
J	Height claw open	3.78 m

- Standard
- Option



Equipment complies with safety standards.

We reserve the right to change our equipment and its characteristics at any time.