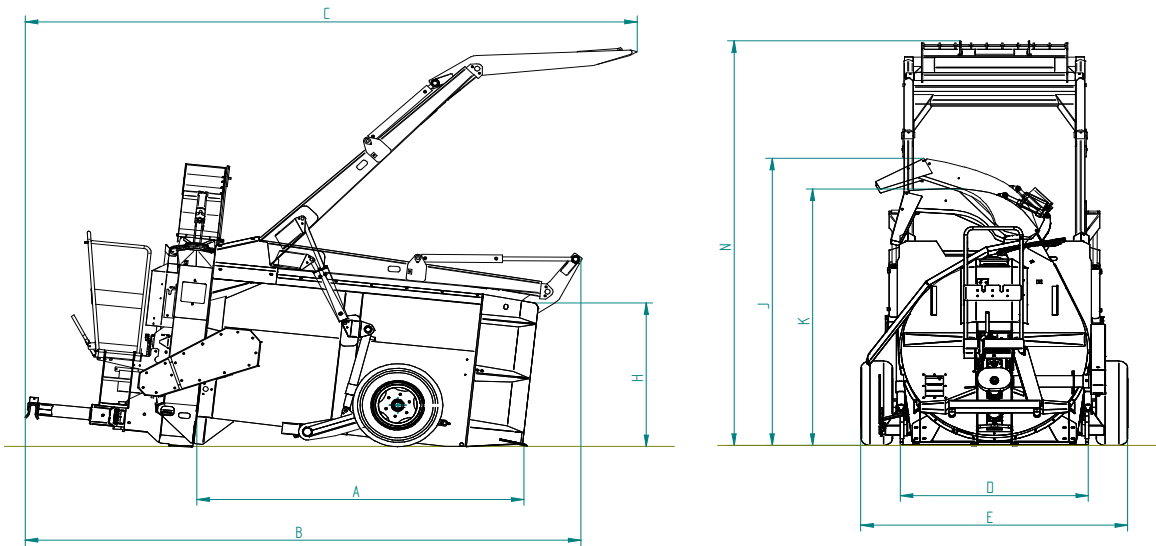


Technical Characteristics		DPR 4000 GM
A	Overall length – claw closed	4.50 m
B	Inside body length	2.77 m
C	Overall length – claw open	4.80 m
D	Inside body width	1.35 m
E	Overall width with folded flap	2.23 m
F	Overall width with unfolded flap	2.41 m
G	Inside body height	1.26 m
H	Maximum chute height	2.87 m
I	Overall height chute folded up	2.43 m
J	Height claw open	3.78 m

- Standard
- Option



Equipment complies with safety standards.

We reserve the right to change our equipment and its characteristics at any time.